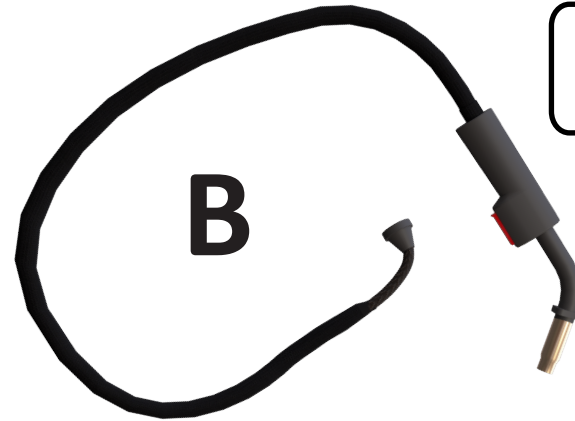
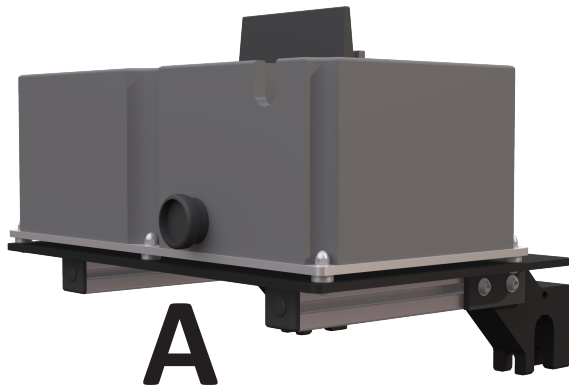
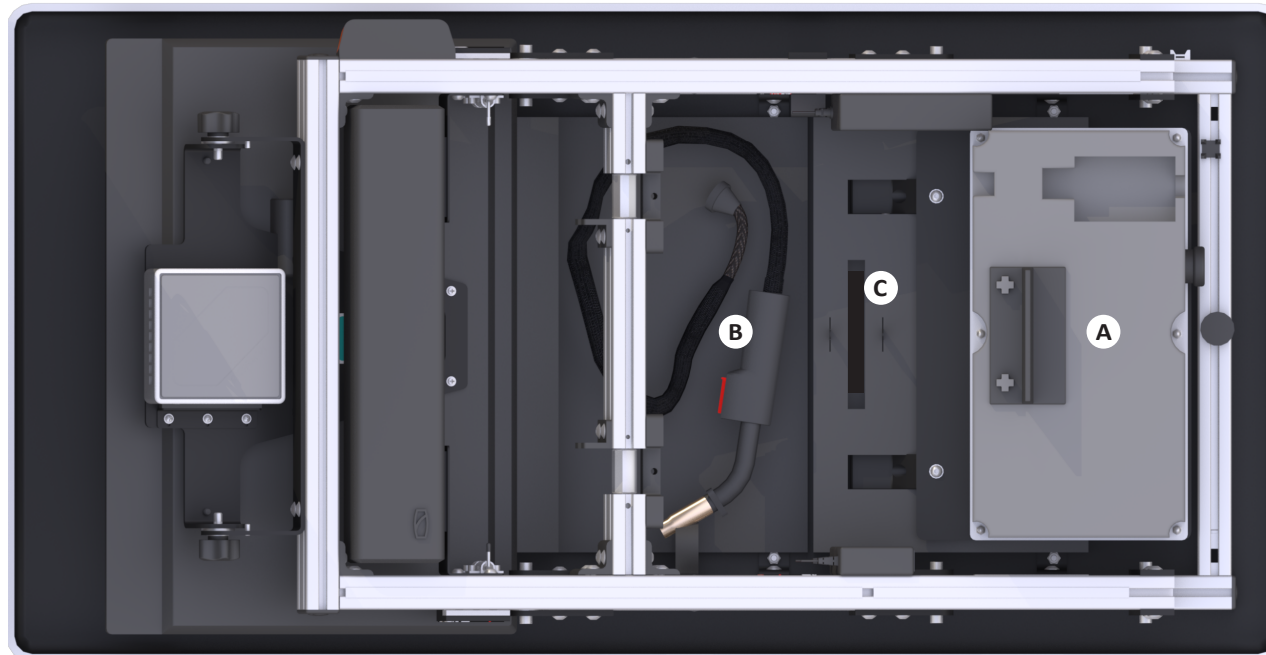


VOCATIONAL RECRUITER TOUCH SCREEN KIT PLACEMENT DIAGRAM



NOTE
Image color adjusted and letter labels added for clarity.



A	400-A000326 ASSEMBLY, MID	C	P/O 600-A000930 REMOTE CONTROL, AUDIO, SOUNDBAR
B	P/O 400-A000326 GUN W/CABLE, SIMULATED WELDING		

RESTRICTED USE

Access Limited to Authorized Personnel